

D

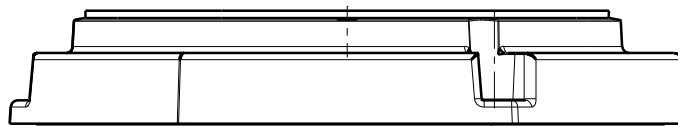
C

B

A

4

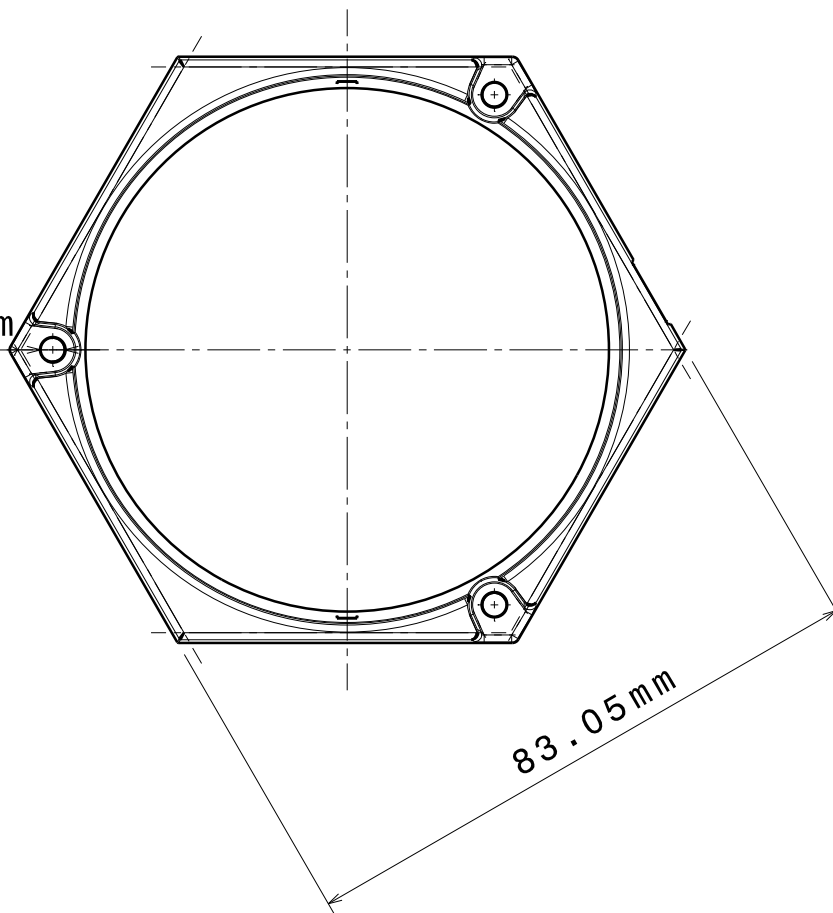
4



3

3

∅ 3.42 mm



83.05 mm

2

2

This drawing is our property.  
It can't be reproduced  
or communicated without  
our written agreement.

**optoGa**

DRAWING TITLE

Svea-holder-lens assembly

DRAWN BY  
RM

DATE  
20.11.2007

CHECKED BY  
HH

DATE  
20.11.2007

SIZE  
A4

DRAWING NUMBER

REV  
0.1

DESIGNED BY  
HH

DATE  
20.11.2007

SCALE 1:2 WEIGHT(g)

SHEET 1/1

1

1

D

A